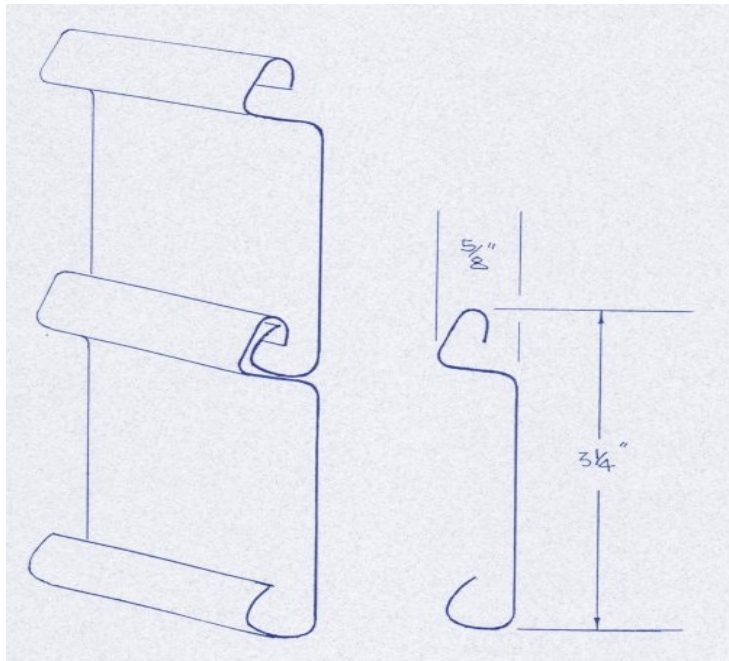
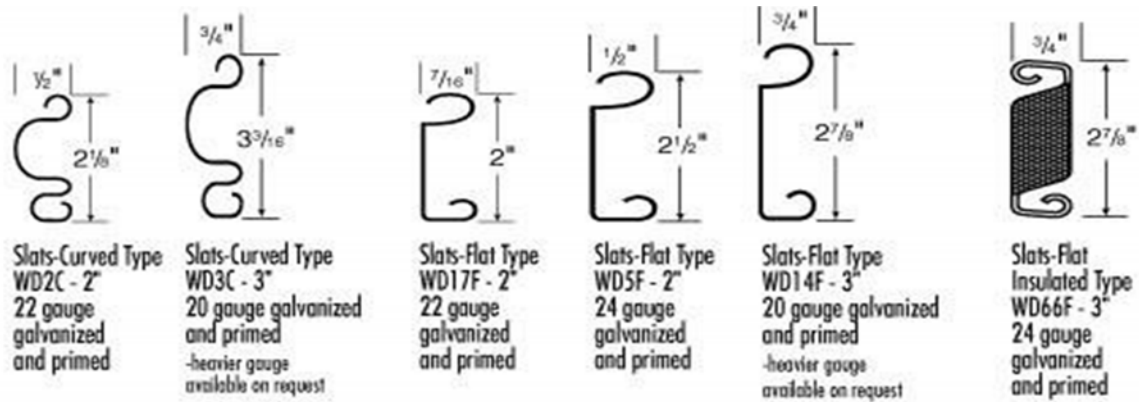


Slats

Warren Door makes replacement slats right onsite in our Niles, Ohio plant, to ensure top quality and prompt delivery. From 18 to 24 gauge, we operate one of the largest roll form lines in the industry. We offer a variety of slats that are available in galvanized, primed and aluminum and can come curved, flat or insulated. They are easy to install and help your customers keep their energy costs down. The slats can be used on doors from several manufacturers.

All of our replacement slats are available in various lengths and can be shipped within 24 hours upon ordering.

We can replace a whole rolling steel curtain, just provide the door height and the cut length of the slats and we'll ship it to you fully assembled in one roll or bundled to your specifications.



Our WD10F slat is compatible to the ©Overhead Brand F265 slat.